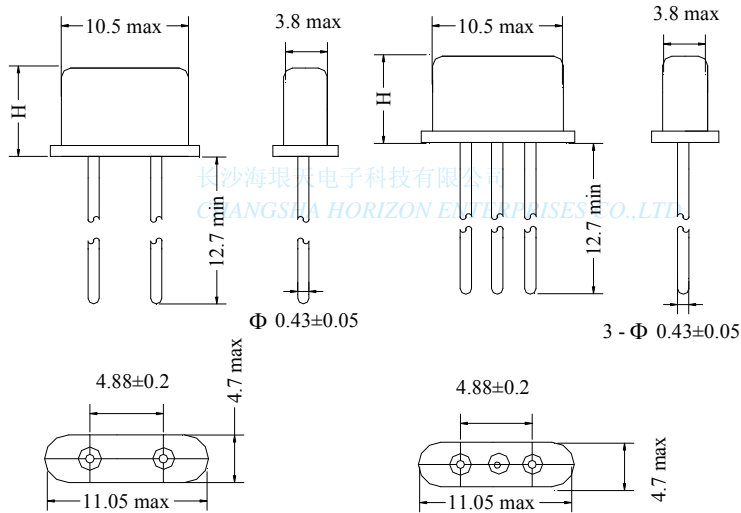


外形尺寸(单位:毫米)

Figure and Dimensions (Unit: mm)



HC-49S (Two Leads)

HC-49S-3 (Three Leads)



产品特征 Features

- 宽频率 Wide Frequency Range
- 高精度 High Precision Availability
- 可靠性强 High Reliability
- 精度高、温区宽 Tight Stability & Extended Temperature Available.

“H” 尺寸表格 \ 单位：毫米

“H” Dimension Table \ Unit: mm

HEX14□	A	B	C
	2.5	3.0	3.5

产品规格 Specification

电性能参数 Parameter		规格 Specification			
频率范围 Frequency Range		3.200~100.000 MHz			
振动模式 Mode of Oscillation	基频 Fundamental	3.200~45.000 MHz			
	三次泛音 3 rd Overtone	24.000~100.000 MHz			
工作温度 Operating Temperature		0℃~70℃ (See Options)			
储存温度 Storage Temperature		-40℃~85℃			
调整频差 Frequency Tolerance @ 25℃		±10 ppm~±50 ppm max(See Options)			
温度频差 Temperature Tolerance		±50ppm max (See Options) ±100ppm max. @ -10℃~60℃(FB)			
静态电容 Shunt Capacitance C ₀		7.0 pf max			
负载电容 Load Capacitance C _L		6 pf~ Series (Customer Specified)			
激励电平 Drive Level		100 uW Typical (1mW max)			
老化率 Aging @ 25℃ Per Year		±3 ppm~±5ppm			
绝缘电阻 Insulation Resistance		500MΩ min .at 100V _{DC} ±15V			
等效电阻和振动模式 Equivalent Series Resistance(ESR) and Mode of Oscillation(Mode)					
频率范围 MHz	等效电阻 Ω	振动模式	频率范围 MHz	等效电阻 Ω	振动模式
Freq.Range	Max ESR	Mode	Freq.Range	Max ESR	Mode
3.200~3.579	250	Fund.	7.999~9.999	60	Fund.
3.580~3.999	180	Fund.	10.000~13.999	50	Fund.
4.000~4.999	140	Fund.	14.000~40.000	40	Fund.
5.000~5.999	100	Fund.	24.000~100.000	100	3 rd
6.000~6.999	80	Fund.			

订购须知 Order Information

HEX14□ -Frequency-C_L-ESR-Mode-Freq.Tol-Temp.Range-Stability-Packaging

HEX14□	产品系列 Product Family	HC-49S Series
	<ul style="list-style-type: none"> ■ N for SMD ■ 3L for 3 Lead Base 	
Frequency	频率 Frequency(MHz)	
C_L	负载 Load Capacitance or Series (pf)	
ESR	等效电阻 (ESR) Equivalent Series Resistance \ R (Ω)	
Mode	切角 Type of Angle cuts	
	<ul style="list-style-type: none"> ■ F for fund AT ■ FB for fund BT ■ 3OT for 3rd overtone ■ X for custom value 	
Freq.Tol	调整频差 Frequency Tolerance @ 25°C	
	<ul style="list-style-type: none"> ■ H₁ for±10 ppm max ■ H₂ for±30ppm max ■ H₃ for±50ppm max ■ X for custom value 	
Temp.Range	工作温度 Operating Temperature	
	<ul style="list-style-type: none"> ■ T₀ for-10°C~60°C ■ T₁ for 0°C~70°C ■ T₂ for -20°C~70°C ■ T₃ for -40°C~85°C ■ X for custom value 	
Stability	温度频差 Temperature Tolerance	
	<ul style="list-style-type: none"> ■ W₁ for±10 ppm max ■ W₂ for±30ppm max ■ W₃ for±50ppm max ■ X for custom value 	
Packaging	包装 Packaging	
	<ul style="list-style-type: none"> ■ T for Tape & Reel ■ P for Plastic Tray ■ B for Bulk 	

订购举例: Example : **HEX14B-3.57950MHz-18-180R-F-H₂-T₂-W₂-B**

HEX14B	产品系列 Product Family	HC-49S-3
3.57950MHz	频率 Frequency \ f ₀	=3.57950MHz
18	负载 Load Capacitance \ C _L	=18 pf
180R	等效电阻 Equivalent Series Resistance (ESR) \ R	=180 Ω
F	基频 Fundamental \ 切角 AT-cut	F= AT
H₂	调整频差 Frequency Tolerance \ H ₂	=±30 ppm
T₂	工作温度 Operating Temperature \ T ₂	=-20°C~70°C
W₂	温度频差 Temperature Tolerance \ W ₂	=±30 ppm
B	包装 Packaging for Bulk	

[Http:// www.horizonxtal.com](http://www.horizonxtal.com)

国际贸易 Horizon International Marketing

国内贸易 Horizon Domestic Marketing

E-mail: horizoncrystals@163.com

E-mail: hqq226@163.com

Fax: 0086 731 8442 2043

Fax: 0086 731 8805 0850

Tel: 0086 731 8442 3897 / 8222 4572

Tel: 0086 731 8805 0851 / 8805 0780