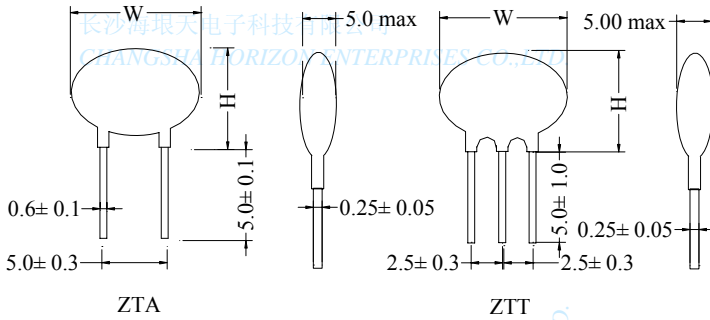


陶瓷谐振器 Ceramic Resonators Unit  
 产品型号 HERC11-ZTA & ZTT Leaded

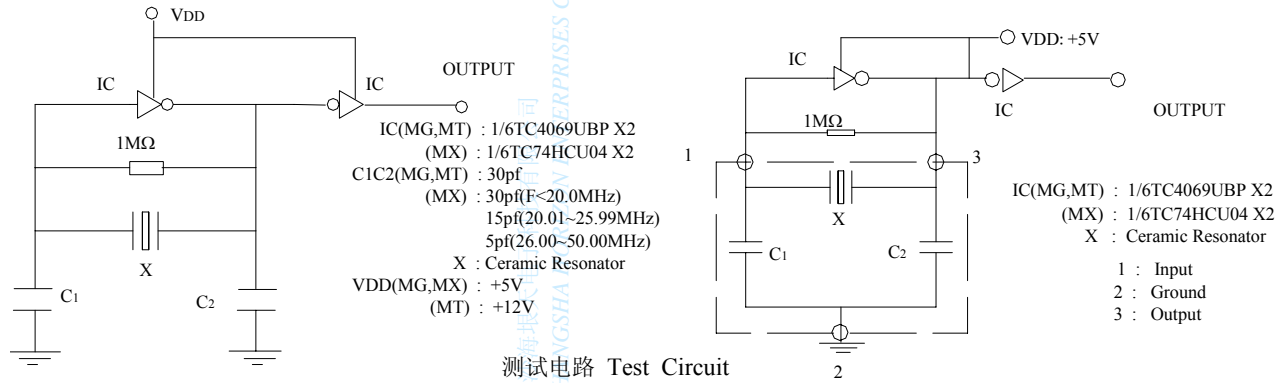
外形尺寸(单位:毫米)

Figure and Dimensions(Unit: mm)



产品特征 Features

- 阻抗低 Low Resonant Impedance
- 低成本、重量轻 Low Cost, Light Weight
- 频率宽 Wide Frequency Range



产品规格 Specification

器件号 Part Number	频率范围 Freq.Range (MHz)	频率精度 Freq. Accuracy ( 25℃ )	温度稳定性 Stability in Temp. (-20℃~80℃ )	工作温度 Operating Temp.( ℃ )	外观尺寸 Dimensions (Unit: mm)		老化率 Ageing for ten Year
					H	W	
ZTA□□□-MG	1.79~8.00	±0.5%	±0.3%	-20℃~80℃	10.0	12.0	±0.3%
ZTALS□□□-MG	3.00~8.00	±0.5%	±0.3%	-20℃~80℃	7.5	10.0	±0.3%
ZTA□□□-MT	6.00~13.00	±0.5%	±0.3%	-20℃~80℃	10.0	10.0	±0.3%
ZTA□□□-MX	12.00~60.00	±0.5%	±0.3%	-20℃~80℃	10.0	10.0	±0.3%
ZTT□□□-MG	1.79~8.00	±0.5%	±0.3%	-20℃~80℃	10.0	12.0	±0.3%
ZTTLS□□□-MG	3.00~8.00	±0.5%	±0.3%	-20℃~80℃	8.0	10.0	±0.3%
ZTT□□□-MT	6.00~13.00	±0.5%	±0.3%	-20℃~80℃	8.0	10.0	±0.3%
ZTT□□□-MX	12.00~60.00	±0.5%	±0.3%	-20℃~80℃	8.0	10.0	±0.3%

**订购须知 Order Information**  
**HERC11□-Frequency-Packaging**

<b>HERC11□</b>	产品系列 Product Family ZTA & ZTT
	<ul style="list-style-type: none"> <li>■ A for ZTA</li> <li>■ B for ZTT</li> </ul>
<b>Frequency</b>	频率 Frequency( MHz)
<b>Packaging</b>	包装 Packaging
	<ul style="list-style-type: none"> <li>■ T for Tape &amp; Reel</li> <li>■ B for Bulk</li> </ul>

**订购举例： Example : HERC11A-20.000MHz-B**

<b>HERC11A</b>	产品系列 Product Family ZTA & ZTT
	<ul style="list-style-type: none"> <li>■ A for ZTA</li> </ul>
<b>20.000MHz</b>	频率 Frequency \ $f_0 = 20.000\text{MHz}$
<b>B</b>	包装 Packaging for Bulk

长沙海垠天电子科技有限公司  
 CHANGSHA HORIZON ENTERPRISES CO.,LTD.

Http:// [www.horizonxtal.com](http://www.horizonxtal.com)

国际贸易 Horizon International Marketing

国内贸易 Horizon Domestic Marketing

E-mail: [horizoncrystals@163.com](mailto:horizoncrystals@163.com)

E-mail: [hqq226@163.com](mailto:hqq226@163.com)

Fax: 0086 731 8442 2043

Fax: 0086 731 8805 0850

Tel: 0086 731 8442 3897 / 8222 4572

Tel: 0086 731 8805 0851 / 8805 0780